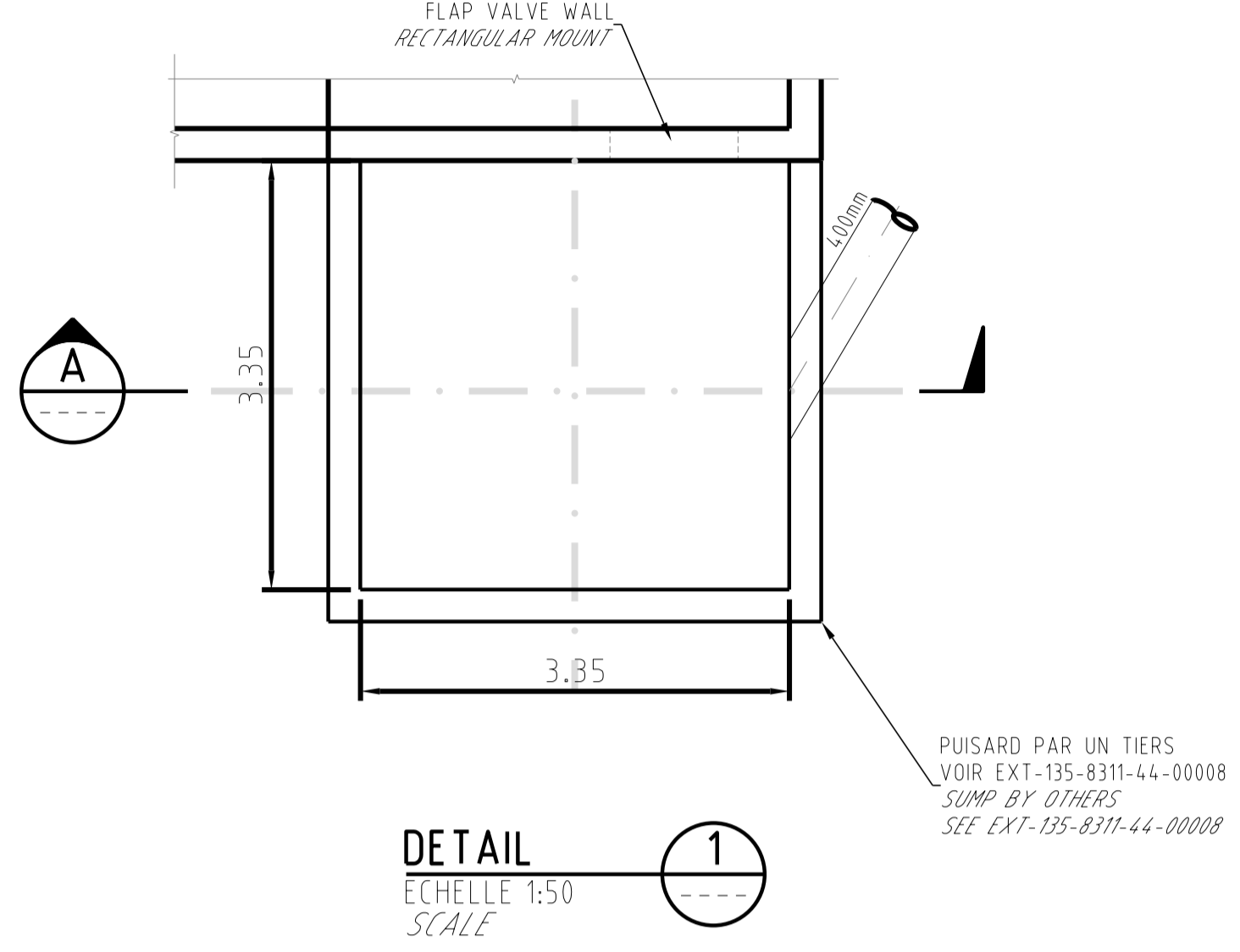
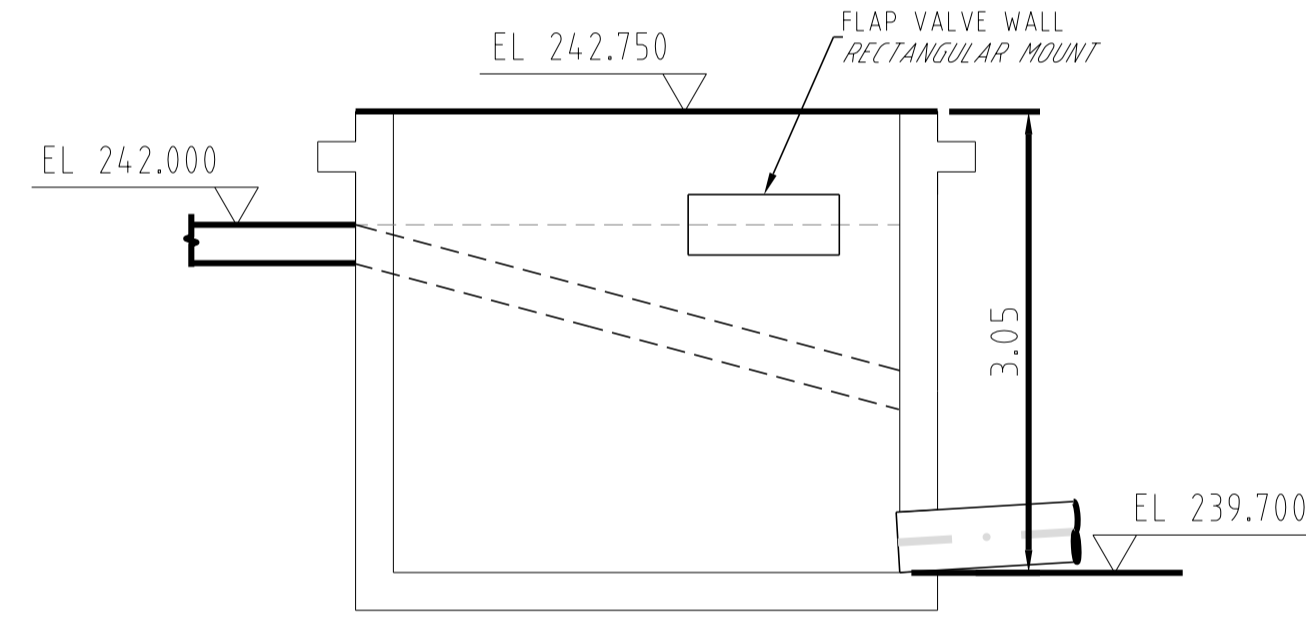


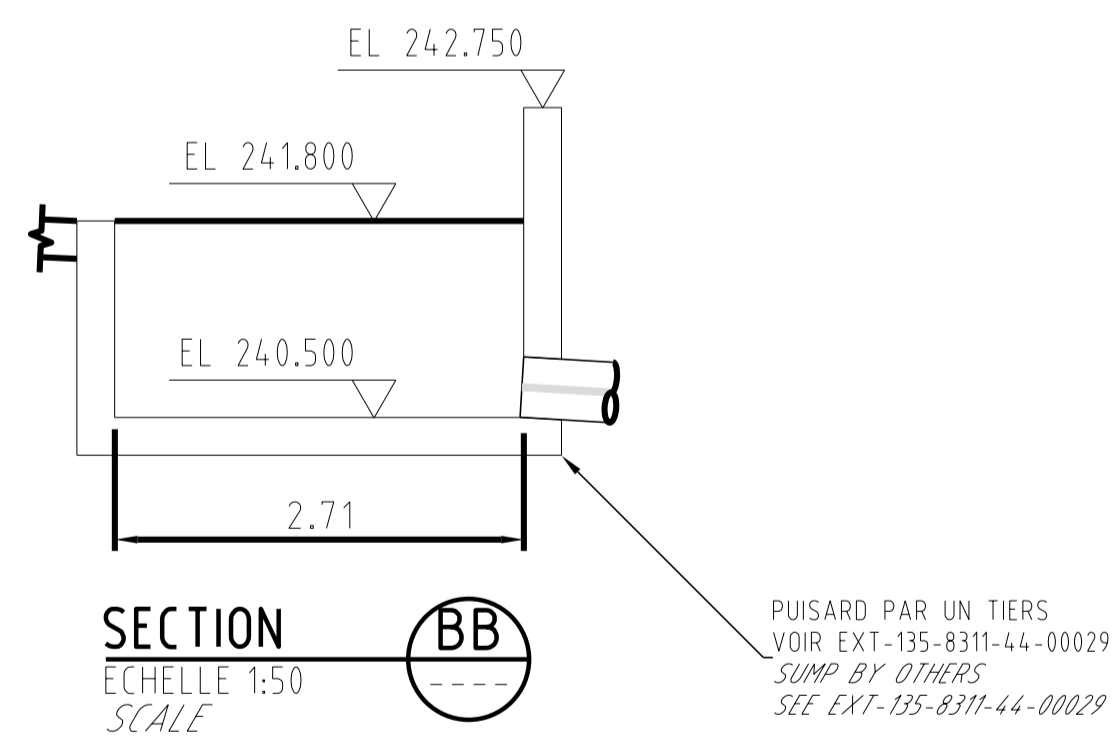
DETAIL
ECHELLE 1:100
SCALE



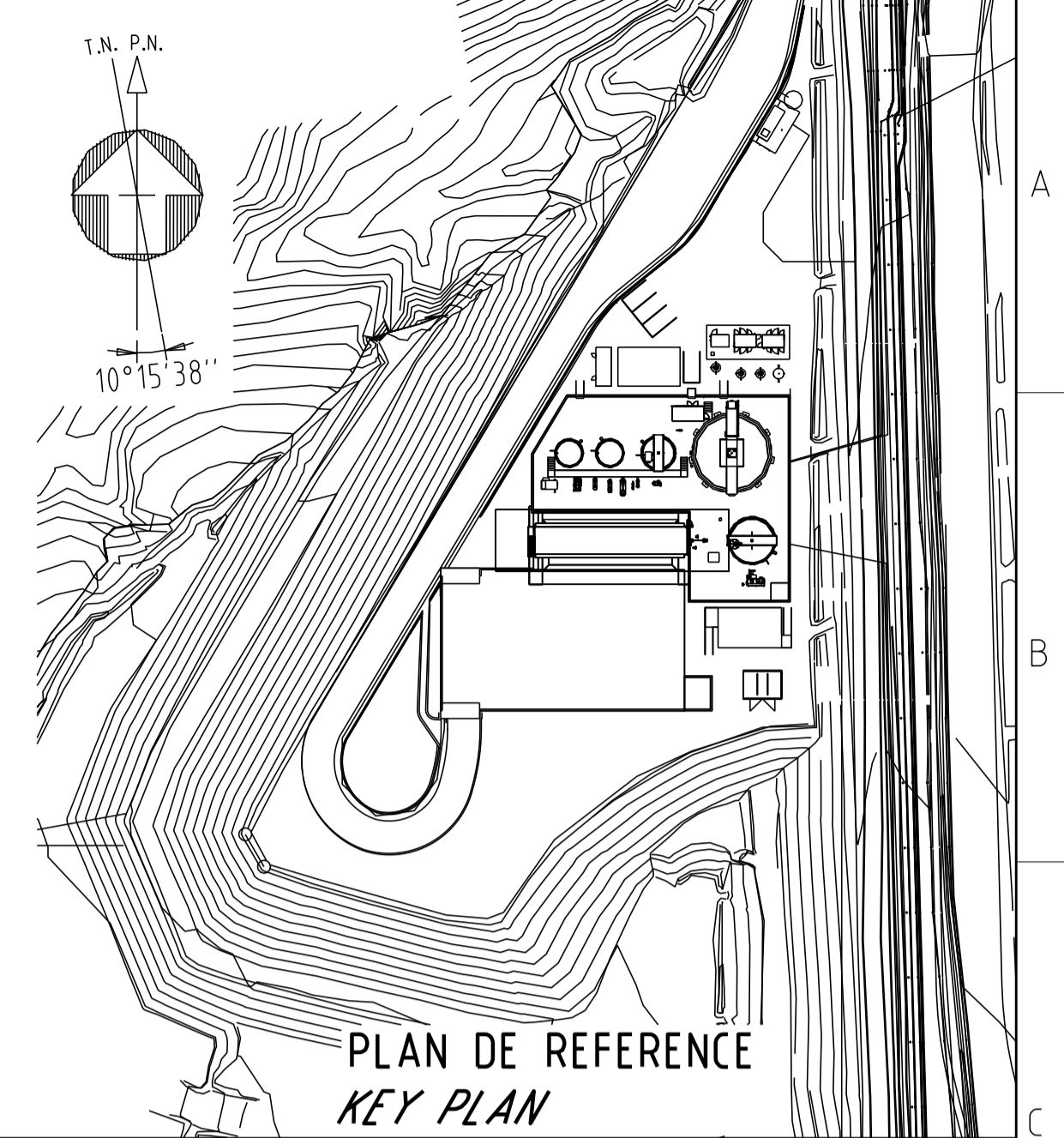
DETAIL
ECHELLE 1:50
SCALE



SECTION
ECHELLE 1:50
SCALE



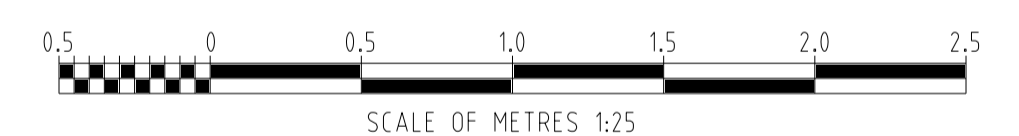
SECTION
ECHELLE 1:50
SCALE



PLAN DE REFERENCE
KEY PLAN

- NOTES**
- TOUTES LES DIMENSIONS, ELEVATIONS ET COORDONNEES SONT EN METRES SAUF SI MENTIONNE DIFFEREMMENT.
 - LA REFERENCE HORIZONTALE CORRESPOND AU "RESEAU GEODESIQUE NOUVELLE CALEDONIE 1991" IRGNC 91-93, PROJETE SUR LA PROJECTION TRANSVERSALE UNIVERSELLE DE MERCATOR (UTM).
 - LA REFERENCE HORIZONTALE CORRESPOND AU "NIVELLEMENT GENERAL DE NOUVELLE CALEDONIE" INGNCI.
 - POUR LES DETAIL DES MURS TETE SE REFERER AU DESSIN GCT01-000-8315-39-0013.
 - SE REPORTIR AU PROJET BETON POUR POMPE DE PUSARD.

- NOTES**
- ALL DIMENSIONS, ELEVATIONS AND COORDINATES ARE IN METERS, EXCEPT WHERE INDICATED OTHERWISE.
 - HORIZONTAL DATUM CORRESPONDS TO "RESEAU GEODESIQUE NOUVELLE CALEDONIE 1991" IRGNC 91-93, PROJECTED ONTO THE UNIVERSAL TRANSVERSE MERCATOR (UTM).
 - VERTICAL DATUM CORRESPONDS TO "NIVELLEMENT GENERAL DE NOUVELLE CALEDONIE" INGNCI.
 - FOR MANHOLE DETAILS SEE DRAWING GCT01-000-8315-39-0013.
 - REFER TO PROJECT CONCRETE FOR SUMP PUMP.



DESIGNED BY	C BRAULIO	2016/02/05
DRAWN BY	C BRAULIO	2016/02/05
CHECKED BY	A DUARTE	2016/02/05
DISCIP. ENGR	A DUARTE	2016/02/05
PROJ. DES. COORD	U MOLINA	2016/02/05
AREA / ENG. MGR	E MARTINS	2016/02/05
CLIENT APPRD		



THIS DRAWING WAS PREPARED FOR THE EXCLUSIVE USE OF VALE AND IS ISSUED PURSUANT TO THE PROJECT LUCY SERVICES AGREEMENT BETWEEN VALE AND HATCH. UNLESS OTHERWISE AGREED IN WRITING WITH VALE OR SPECIFIED ON THIS DRAWING, (A) HATCH DOES NOT ACCEPT AND DISCLAIMS ANY AND ALL LIABILITY OR RESPONSIBILITY ARISING FROM ANY USE OR RELIANCE ON THIS DRAWING OR MISUSE OF THIS DRAWING BY VALE, AND (B) THIS DRAWING IS CONFIDENTIAL AND ALL INTELLECTUAL PROPERTY RIGHTS EMBODIED OR REFERENCED IN THIS DRAWING REMAIN THE PROPERTY OF HATCH.

REV.	DATE	DESCRIPTION DES REVISIONS /REVISION DESCRIPTION	DESS./DRK	VER./CKD	APP. / APP.	SIGNATURES
S2	16/05/17	ISSUE FOR CONSTRUCTION - GENERAL REVISION	BBC	ACM	EMT	
S1	16/05/13	ISSUE FOR CONSTRUCTION	LGS	ACM	EMT	
O2	16/04/22	ISSUE INTERNAL REVIEW	LGS	ACM	EMT	
O1	16/02/05	FIRST ISSUE	BBC	ACM	EMT	

VALE NOUVELLE CALEDONIE **VALE NEW CALEDONIA**

NUM. PROJET / PROJECT No. 9

TITRE /TITLE	
PROJET LUCY	
DWP1	
DRAINAGE - DETAILS	
PROJECT LUCY	
DWP1	
DRAINAGE - DETAILS	
NUMERO DE DESSIN /DRAWING NUMBER	REV.
EXT-135-8310-39-0002	S2